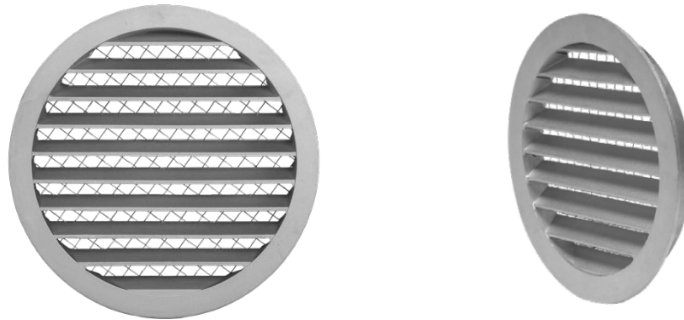
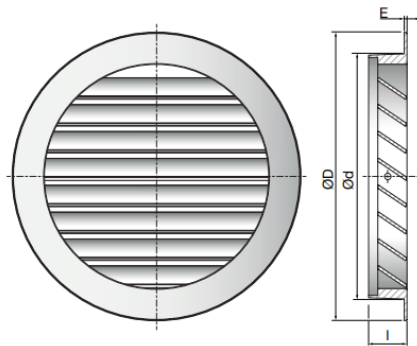


Airmaster Standard Grille



Grille for fresh air intake and exhaust air. The grille is designed with a fixed louver and optional bird net. The grille can be fixed with screws or nails.



Ød [nom]	ØD [mm]	l [mm]	E [mm]	Free area (A _r) [m ²]	Weight [kg]
125*	149	19.5	2.5	0.009	0.18
160*	183	19.0	3.0	0.015	0.27
200*	223	19.0	3.0	0.024	0.47
250*	273	21.5	3.5	0.038	0.70
315*	338	21.0	4.0	0.063	1.09
400*	440	34.0	6.5	0.079	3.00

Tabel 1: Product data for the standard grille

* The grille has 2 × Ø4.2 mm screw holes on the side for mounting.

Material and finish

- Cast aluminum
- Standard finish: untreated
- Optional finish on request: powder-coated, RAL color
- All grilles are delivered with a bird-net; the mesh size is 12x12 mm.

Maintenance

The external parts should be wiped with a damp cloth. If the bird net is mounted, it must be inspected regularly and objects such as leaves must be removed. Inspect and clean the duct regularly, to gain access remove the grille.

Technical data

The pressure drop of the standard grilles is shown in the graph below together with the sound power level L_{WA} [dB(A)].

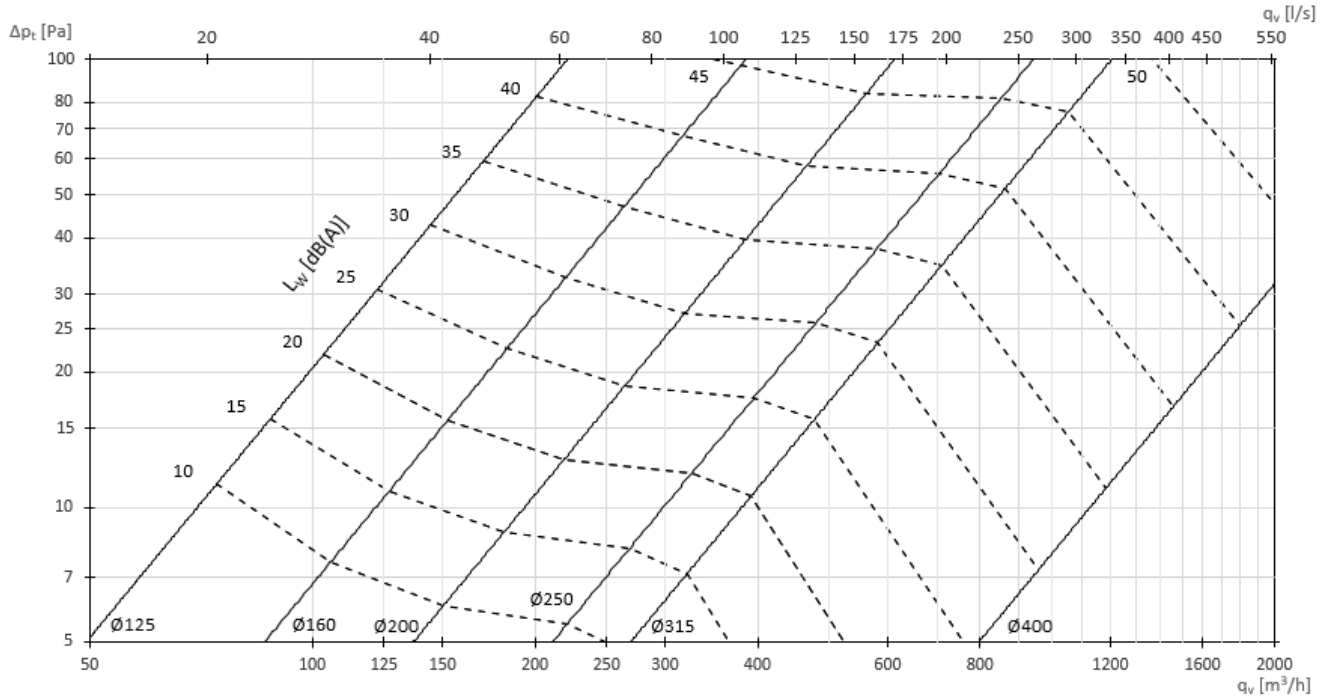


Figure 1: Airflow rate q_v [l/s]; [m³/h], total pressure drop Δp_t [Pa], and sound power level L_{WA} [dB(A)]

If you have a free field (1/4 spherical) the sound pressure level L_{pA} [dB(A)] at a distance X [m] from the sound source can be calculated as follows:
 $L_{pA} = L_{WA} - C$, see table below.

X [m]	1	2	3	4	5	10	20
C [dB]	5	12	15	17	19	25	30

Table 2: Correction factor for calculating sound pressure level.